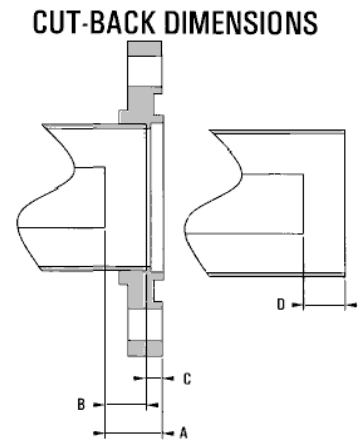
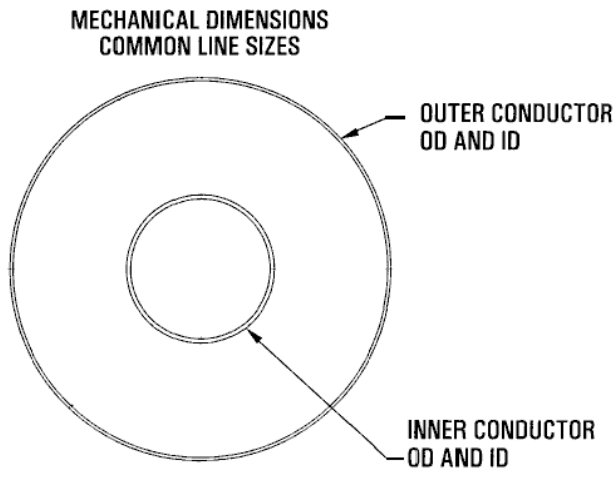




ESPECIFICACIONES ELÉCTRICAS ELECTRICAL DATA		
RANGO DE FRECUENCIAS / FREQUENCY RANGE		0 ÷ 900 MHz
R.O.E / V.S.W.R		≤ 1.01 ÷ 1 BROADBAND
IMPEDANCIA DE ENTRADA / INPUT IMPEDANCE		50 Ω
MÁRGEN DE TEMPERATURA / TEMPERATURE RANGE		-15 °C ÷ +65°C
POTENCIA MÁXIMA / MAX POWER RATING		SEGÚN DIMENSIONES / ACCORDING TO SIZE

ESPECIFICACIONES MECÁNICAS / MECHANICAL DATA		
MATERIALES / MATERIALS	Cuerpo interior / Inner Conductor	COBRE / COPPER
	Cuerpo exterior / Outer Conductor	COBRE O COPPER OR ALUMINIO / ALUMINIUM
	Centradores / Isolator	PTFE



LINE SIZE	IMPEDANCE	INNER CONDUCTOR		OUTER CONDUCTOR	
		OUTER DIAMETER	INNER DIAMETER	OUTER DIAMETER	INNER DIAMETER
7/8"	50 Ω	0.341"	0.291"	0.875"	.785"
1-5/8"	50 Ω	0.664"	0.588"	1.625"	1.527"
3-1/8"	50 Ω	1.315"	1.231"	3.125"	3.027"
4-1/2"	50 Ω	1.760"	1.690"	4.210"	4.090"
6-1/8"	50 Ω	2.600"	2.520"	6.125"	5.981"

LINE SIZE	7/8"	1-5/8"	3-1/8"	4-1/16"	6-1/8"
A	0.500"	.625"	1.015"	1.375"	1.343"
B	.343"	.437"	.765"	1.125"	1.063"
C	.156"	.187"	.250"	.250"	.281"
°D	.343"	.437"	.765"	1.125"	1.063"

RIGID LINE POWER RATING

Data based on: Ambient T=40C, Inner T=80C

