

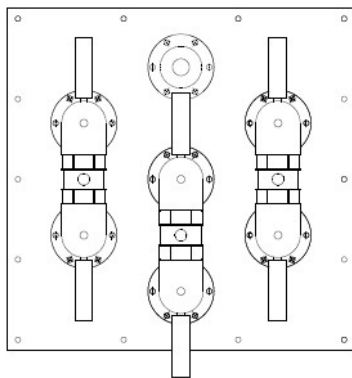
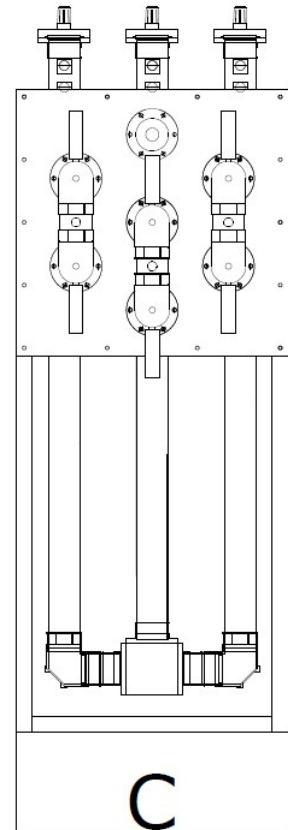
BII Patch Panel with Interlocks – Low Insertion and Return Loss - High Power

ELECTRICAL DATA

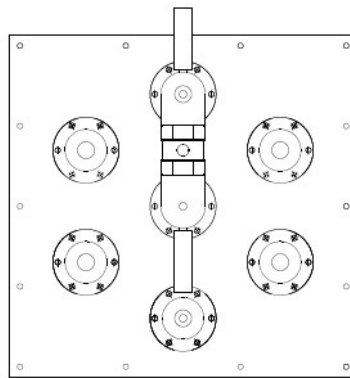
Frequency range	87.5 – 108.0 MHz
Impedance	50 Ω
Insertion Loss	3 dB ± 0.05
VSWR	< 1.05:1 Broad Band
Input Connector	EIA 4-1/2"
Out Connectors	EIA 4-1/2" or EIA 3-1/8"
Output Phase Balanced	0° ± 0.1
Maximum Power Rating	95 KW
Peak Voltage	9.6 KV

MECHANICAL DATA

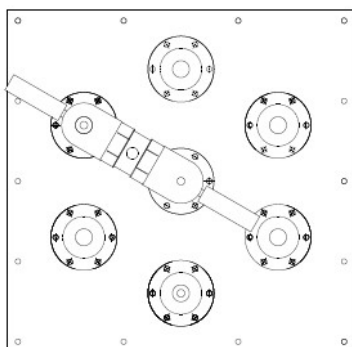
Dimensions (A x B x C)	1800 x 470 x 720 mm
Weight	110 Kg
Materials	External Body in Cooper Inner Line Silver Plated Stainless Steel Screw Hot Painting
Temperature Range	-10°C to 50° C



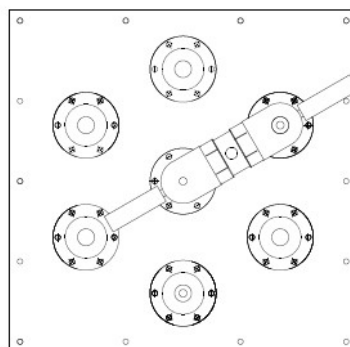
Full Antenna



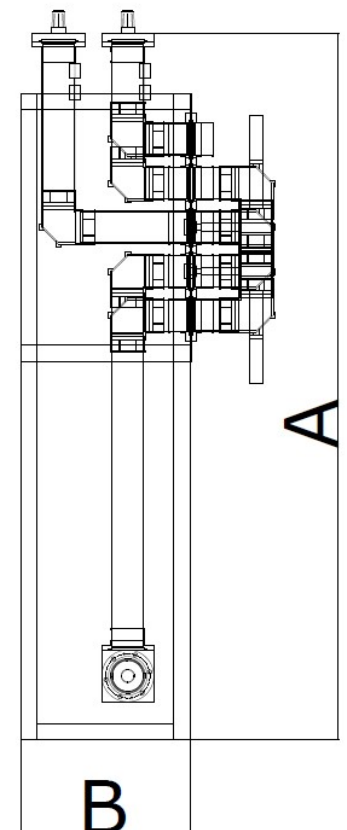
Auxiliar Antenna or Charge



Left Semi-Antenna



Right Semi-Antenna



A

B